



**İMAJ TEKNİK**  
ELEKTRİK ELEKTRONİK MALZ. SAN. VE TİC. LTD. ŞTİ



## INSTANTANEOUS AND FUNCTION RELAYS

Flashing relays 2 contacts / 1735



**TEC**

**1735**

- ▣ rear wiring socket with clips 9723
- ▣ front wiring socket / screw terminals 9705

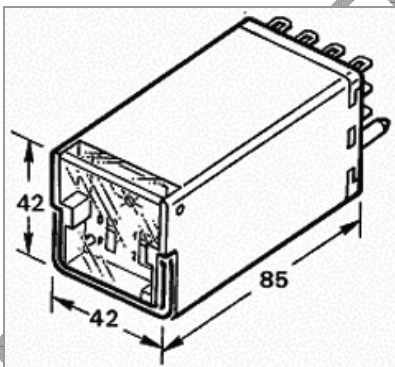
### DESCRIPTION

**Multirange flashing relay - 2 CO contacts - 5 A.**

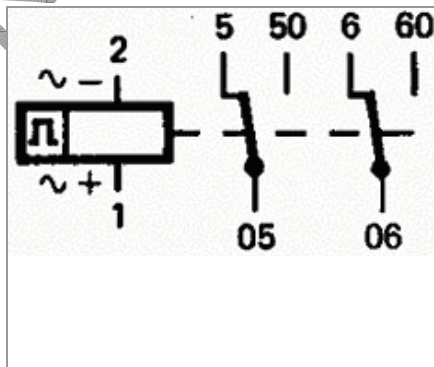
Pluggable on front wiring socket (9705) or rear wiring socket (9723)

**Detailed table of the coil resistance data is available in the technical support pages of this site or can be sent upon request.**

### Dimensions



### Connection



### OPERATION PRINCIPLE

Timing range selector on front face :

- 1-A : 0,2 to 2 s
- 1-B : 2 to 20 s
- 2-A : 20 to 200 s

Timing adjustable by potentiometer.

Visualisation of the output state by LED.

## TECHNICAL FEATURES

Function	flashing
Presentation	under cover
Connection	on front or rear wiring socket
Number of mechanical operations	> 30.000.000
Operating temperature	- 25 to + 55°C
Storage temperature	- 40°C to + 80°C
Climatic protection	reinforced climatic protection
Shock voltage	50 g - 11 ms
Dielectric strength	2,5 KV - 50 Hz
Insulation resistance	> 1.000 MOhms (500 VDC)
Weight	130 g.

## COIL DATA

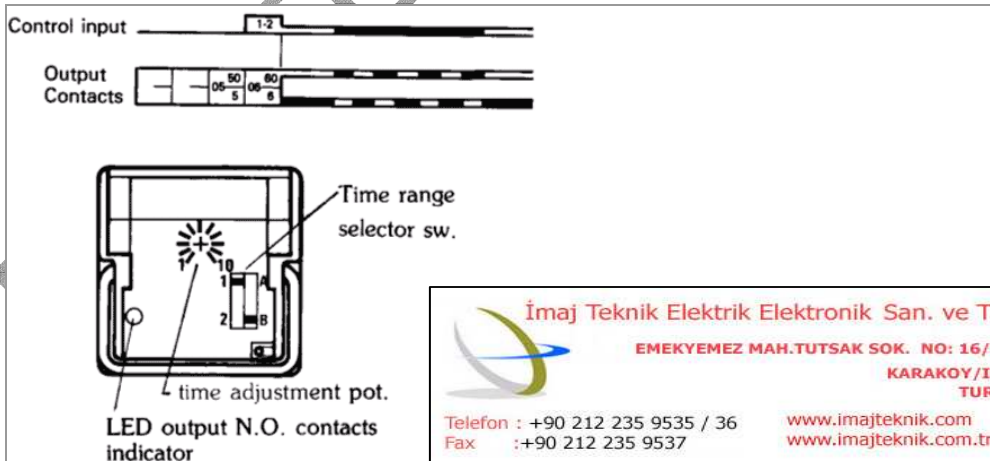
	Direct current	Alternative current
Min. nominal voltage DC	12 V	220 V
Min. nominal voltage AC	127 V	220 V
Operating range	-20/+10% of nominal voltage	
Power requirement	max 4 VA	

## CONTACTS

Number of contacts	2
Contacts material	silver alloy with gold flash
Max. load current	5 A per contact
Low power switching	100 VA with min. voltage 1 V or I Min 1 mA
Short-circuit load	100 A / 30 ms
Response time	DC < 20 ms - AC < 20 ms
Bounce time	100 ms

## OPERATION DIAGRAM

### FUNCTIONS



**İmaj Teknik Elektrik Elektronik San. ve Tic. Ltd. Şti.**  
EMEKYEMEZ MAH.TUTSAK SOK. NO: 16/13-14-15  
KARAKOY/İSTANBUL  
TURKEY

Telefon : +90 212 235 9535 / 36      www.imajteknik.com  
Fax : +90 212 235 9537              www.imajteknik.com.tr

## VERSIONS

Following options are available for relay 1753 : mechanical indicator, test push-button, withdrawal. It can bear CENELEC numbering. All options to be mentioned on the order.